

# MKS-2MCD

## Video Sentry PanTilt Plus

**DESCRIPTION:**

The MKS-2MCD is a video door answering system complete with a PanTilt door station (MK-DAC), an inside monitoring station (MK-2MCD) and power supply (PS-1820UL). The system has the capacity for an additional door station, either audio video or audio only and up to two additional interior stations, either audio video or audio only.

Video door stations are available in surface, flush and vandal resistant versions and all feature: CCD chip camera with infrared LEDs for low light applications, PanTilt mechanism adjustable by an interior monitor, call-in button, speaker/mic for communication, and a locator LED. The interior monitor stations are equipped with a 4" flat CRT monitor, a monitor activation button, a pan and tilt control pad, door release button, secondary dry contact (optional), an all call button, call-in indicator LED, and a handset for private

communication. Brightness and chime volume controls are located under each monitor unit.

The call-in button on the door station turns on the 4" CRT at the inside monitor, initiates audio monitoring from the door and activates a two or four-stroke chime. Audio communication at the door station is hands free, and communication at the inside station is through the handset. The entry area can be monitored by pressing the "monitor" button on any room station. This allows both audio and video monitoring, staying on for approximately 45 seconds. The interior stations also feature a normally open dry contact for door release and an extra dry contact for light or secondary door release activation. To selectively release two doors, add the RY-3DL adaptor.

**MK Series PanTilt System Components****MK-2MCD/HD Features:**

- Audio/Video Monitor
- Max 2 Doors and 3 interior stations
- 4" CRT Screen
- Handset for private communication
- All call to other units
- Door release contact
- Extra dry contact (Optional)
- Call-in LED
- Chime tone Volume control
- Transfer of door call-in
- Instant-on when door calls
- Monitor the door station
- PanTilt control pad

**MK-2SD Features:**

- Audio Only sub
- Handset for private communication
- All call to other units
- Door release contact
- Extra dry contact (Optional)
- Call-in LED
- Chime tone Volume control
- Transfer of door call-in

**MK-DAC Features:**

- Surface mount
- PanTilt camera
- Built in infrared LED's
- Lexan protected camera lens

**MK-DBC Features:**

- Flush mount
- PanTilt camera
- Built in infrared LED's
- Lexan protected camera lens

**MK-DGC Features:**

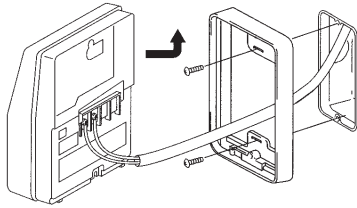
- Flush mount
- Backlit directory
- Vandal resistant
- Aluminum face
- Built in infrared LED's
- Lexan protected camera lens

**FEATURES & FUNCTIONS:**

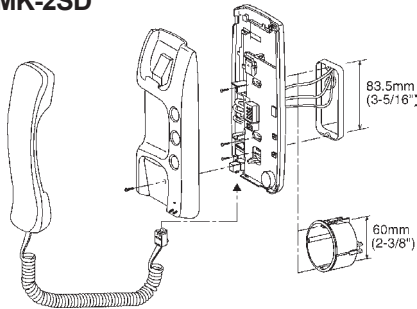
- Video quality improved over current MY system
- Set contains door station, monitor and power supply
- Extra dry contact (requires additional equipment)
- Door call-in LED
- Video and audio turn on when door calls in
- Door Call Transfer
- Redesigned monitors
- Two additional monitor or handset only stations can be added
- Simple 2-wire hook up -- Can replace existing doorbell
- 4 or 6 wires between inside monitors (based on distance)
- Handset for two-way communication at inside station
- Hands free communication at the door station
- Infrared, CCD camera for low light applications
- Built-in video output (requires additional equipment)
- All call between inside stations
- One power supply for entire system
- PanTilt controlled from inside monitor stations
- Call button rings a different chime for each door
- Activate door strike from inside station(s)
- Selectively release door locations (adaptor required)

**MOUNTING & INSTALLATION:**

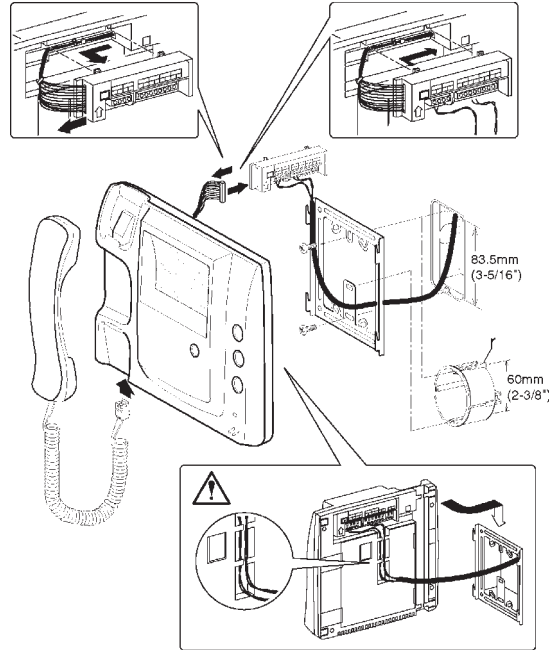
**MK-DAC**



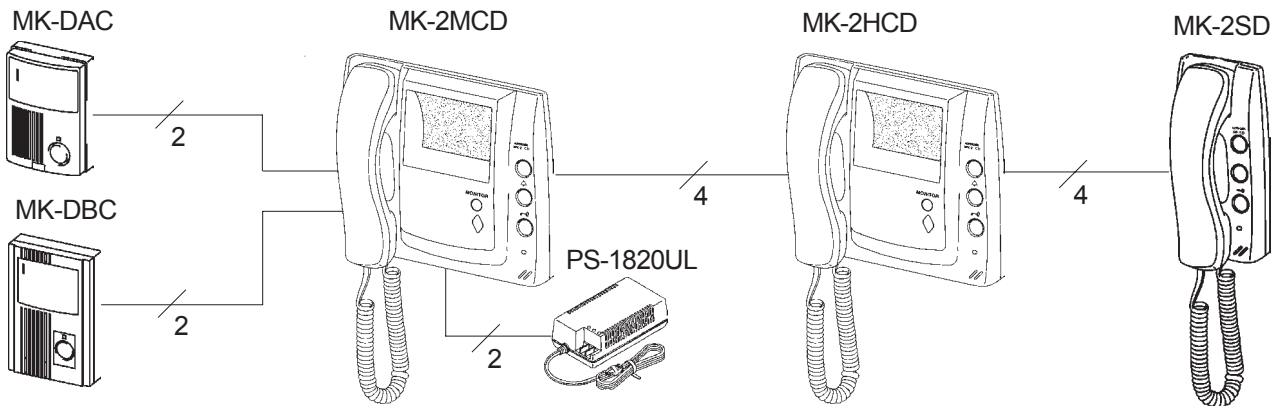
**MK-2SD**



**MK-2MCD/MK-2HCD**



**System Layout Example:**



**SPECIFICATIONS:**

System:	MKS-2MCD (MK-DAC, MK-2MCD, PS-1820UL)
Power Source:	18V DC. Use PS-1820UL.
Operating Temperature:	MK-DAC, DBC, DGC: 14° ~ 140° F MK-2MCD/2HCD: 32° ~ 104° F
Communication:	Hands free at door station, Handset at monitor station
Calling:	From Door to Inside: Chime tone with "Instant on" Between Inside Stations: All Call tone, then communicate with handset
Video Monitor:	4" CRT with 525 scanning lines
Camera Unit:	CCD (Charged Coupled Device) with infrared LED illumination
Overall Viewing Area:	36" Vert. x 72" Horiz. at 20"
Wiring:	2 wires to door station(s) (Use Aiphone wire # 841802) 4 wires between monitors (Use Aiphone wire # 841804)
Wiring Distance:	Door station to MK-2MCD: 165' w/22AWG; 330' w/18AWG MK-2MCD to farthest MK-2HCD: 245' w/18AWG (Doubling power wires) PS-1820UL to MK-2MCD: 16' w/18AWG
Mounting:	Surface mount to a 1-gang box or ring
Door Release Contact:	Normally Open - 12V AC, .4A Max.
Dimensions (H x W x D):	8-1/4" x 8-1/4" x 2-3/4"